
INSTRUCTIONS



VERTICAL GROW SHELF SYSTEM



VGS300 & VGS600

INSTRUCTIONS

Thank you for purchasing the Hydrofarm Vertical Grow Shelf System. This product is an easy-to-assemble shelving system ideal for propagation of clones and seedlings in two standard 10" x 20" nursery trays lengthwise on each shelf with room to spare. You can also grow low-profile plants such as lettuce, spinach, wheat grass, etc. to full term. Optional lighting fixtures are available that allow for easy installation of fluorescent or LED fixtures.

VGS300 PARTS LIST

Remove all parts from the box. You should have:

- A – Upper Side Walls (2)
- B – Cross Bar (1)
- C – Shelf (3)
- D – Caster (with brake) (2)
- E – Caster (without brake) (2)
- F – Shelf Mounting Screw (14)

Instructions



INSTRUCTIONS

ASSEMBLY OF 3-SHELF SYSTEM (VGS300)

1. Take one of the Upper Side Walls (Part A) and lay it down on the floor (see Fig. 1). Screw two of the Casters (Part D or E) into the inserts in the bottom of the upper side wall by hand. Do not overtighten the casters.

NOTE: Make sure that both casters installed into the first upper side wall are the same type, either with or without brake—both Part D or both Part E.

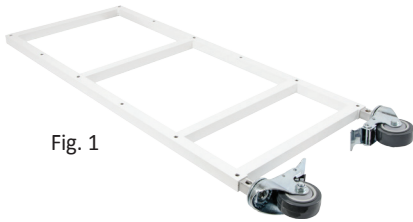


Fig. 1



2. Repeat Step 1 with the other upper side wall and the other two casters.
3. Use a screwdriver or power drill with screwdriver bit to fasten one of the shelves (Part C) to the side walls at the bottom holes (closest to the wheels) using four of the provided Shelf Mounting Screws (Part F) (see Fig. 2). The smooth side of the shelf should face upward and the underside (with mounting holes) should face downward (toward wheels and floor). This is now the bottom shelf.



Fig. 2

4. Install the Cross Bar (Part B) at the opposite/top end of the side walls using two of the provided screws (see Fig. 3). This will give stability to the structure. You can install the cross bar into either the front two holes or the back two holes. When the cross bar is installed, it will define the front/back of the entire rack (when looking at the front, the cross bar should be in the back).

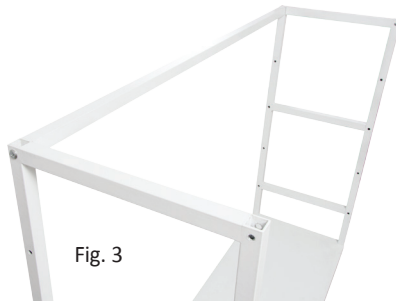


Fig. 3

INSTRUCTIONS

5. Install your other two shelves using the provided screws (see Fig. 4). When installing the shelves, look at the notches on the underside to be certain that the shelves are all oriented the same way as the bottom shelf is, as this will ensure that when you install light fixtures they will all be consistent in their orientation. Multiple shelf mounting holes let you choose the shelf positions that you desire.



6. Lift the assembled 3-shelf system from the floor to the upright position (see Fig. 5). It is now ready for use.



INSTRUCTIONS

VGS600 PARTS LIST

Remove all parts from the boxes. You should have:

- A – Lower Side Walls (2)
- B – Upper Side Walls (2)
- C – Cross Bar (2)
- D – Shelf (6)
- E – Caster (with brake) (2)
- F – Caster (without brake) (2)
- G – Shelf Mounting Screw (28)

Instructions



INSTRUCTIONS

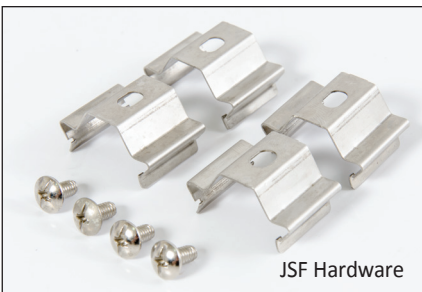
ASSEMBLY OF 6-SHELF SYSTEM (VGS600)

1. Take one of the Lower Side Walls (Part A) and lay it down on the floor. Screw two of the Casters (Part D or E) into the inserts in the bottom of the Lower Side Wall by hand. Do not overtighten the casters.
2. NOTE: Make sure that both casters are the same type, either with or without brake—both Part D or both Part E.
3. Slide one of the Upper Side Walls (Part B) onto the lower side wall to build a whole large side wall. (TIP: Tap the upper side walls down with a rubber mallet or padded hammer if necessary for fully flush seating).
4. Repeat Step 1 with the other Lower Side Wall and the other two Casters.
5. Repeat Step 2 with the other Upper Side Wall.
6. Use a screwdriver or power drill with screwdriver bit to fasten one of the shelves (Part D) to the side walls at the bottom holes (closest to the wheels) using four of the provided Shelf Mounting Screws (Part G). The smooth side of the shelf should face upward and the side with three mounting bars should face downward (toward wheels and floor). This is now the bottom shelf.
7. Install the Cross Bar (Part C) at the opposite/top end of the Upper Side Walls using two of the provided screws. This will give stability to the structure. You can install the cross bar into either the front two holes or the back two holes. When the cross bar is installed, it will define the front/back of the entire rack (when looking at the front, the cross bar should be in the back).
8. NOTE: If you choose to position your uppermost shelf at the very top position of the rack, the cross bar can instead be installed at a lower point—ideally where the upper and lower side walls meet in the middle of the unit.
9. Install your other five shelves using the provided screws. When installing the shelves, look at the notches on the underside to be certain that the shelves are all oriented the same way as the bottom shelf is, as this will ensure that when you install light fixtures they will all be consistent in their orientation. Multiple shelf mounting holes let you choose the shelf positions that you desire.
10. Get the assistance of a second person to lift the assembled 6-shelf system from the floor to the upright position, as it is too heavy and wide to be safely lifted by one. It is now ready for use.

MOUNTING LIGHT FIXTURES

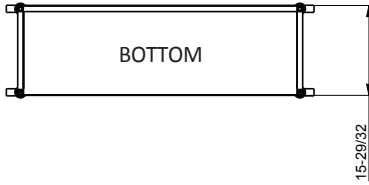
If you wish to mount light fixtures to the undersides of the shelves, custom mounting hardware is available through your Hydrofarm retailer.

Compatible fixture models include certain T5 Agrobrite FLP models of T5 fluorescent and LED fixtures, as well as certain Jump Start JSF model T5 fluorescent and LED fixtures. Mounting hardware is sold separately as VGS050 (for FLP models) and VGS025 (for JSF models).

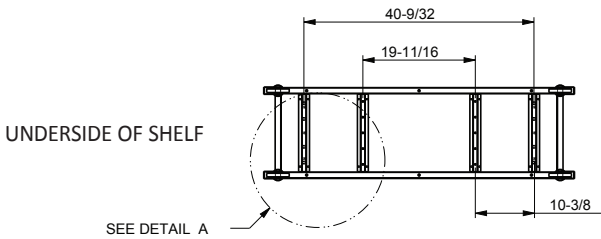
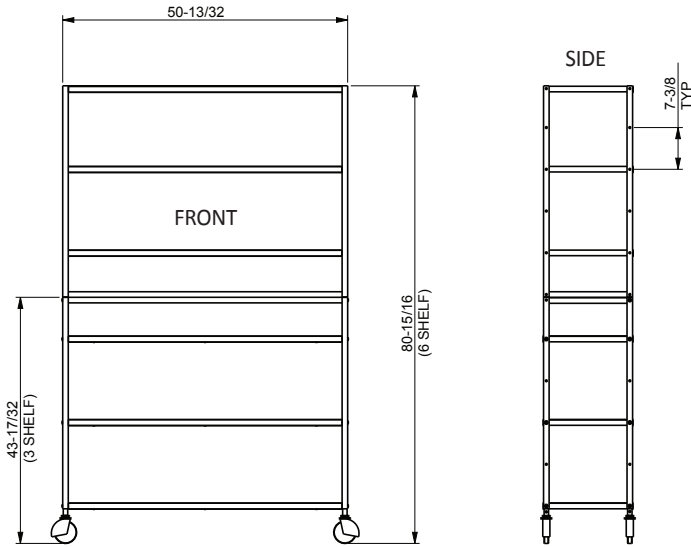


The mounting notches on the undersides of the shelves correspond to FLP fixtures (larger notches) and JSF fixtures (smaller notches).

DIMENSIONS

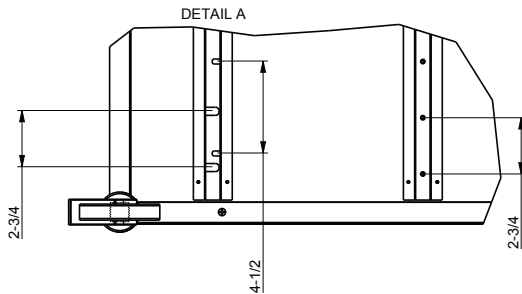


ALL MEASUREMENTS IN INCHES



UNDERSIDE OF SHELF

SEE DETAIL A



WARRANTY



LIMITED WARRANTY

Hydrofarm warrants the **VERTICAL GROW SHELF SYSTEM** to be free from defects in materials and workmanship. The warranty term is for one year beginning on the date of purchase. Misuse, abuse, or failure to follow instructions is not covered under this warranty. Hydrofarm's warranty liability extends only to the replacement cost of the product. Hydrofarm will not be liable for any consequential, indirect, or incidental damages of any kind, including lost revenues, lost profits, or other losses in connection with the product. Some states do not allow limitation on how long an implied warranty lasts or the exclusion of incidental or consequential damages, so the above limitations or exclusions may not apply to you. Hydrofarm will, at our discretion, repair or replace the **VERTICAL GROW SHELF SYSTEM** covered under this warranty if it is returned to the original place of purchase. To request warranty service, please return the **VERTICAL GROW SHELF SYSTEM**, with original sales receipt and original packaging, to your place of purchase. The purchase date is based on your original sales receipt.

GARANTIE LIMITÉE

Hydrofarm garantit que le **VERTICAL GROW SHELF SYSTEM** ne présente aucun défaut de pièces et main-d'œuvre. La période de garantie est d'un an à partir de la date d'achat. Une utilisation incorrecte, abusive, ou le non-respect des instructions n'est pas couvert(e) par cette garantie. La responsabilité de la garantie Hydrofarm couvre uniquement le coût de remplacement du produit. Hydrofarm ne pourra être tenu responsable des dommages consécutifs, indirects ou fortuits de tout type, y compris les pertes de revenus, de profits ou autres en rapport avec le produit. Certains états n'autorisent aucune limite concernant la durée de la garantie implicite ou l'exclusion des dommages fortuits ou consécutifs ; les limites ou exclusions mentionnées ci-dessus peuvent donc ne pas être applicables à votre cas. Hydrofarm se réserve le droit de réparer ou remplacer le **VERTICAL GROW SHELF SYSTEM** couvert par cette garantie si celui-ci est renvoyé au lieu d'achat d'origine. Pour solliciter le service de garantie, veuillez renvoyer le **VERTICAL GROW SHELF SYSTEM** avec sa facture et son emballage d'origine à votre lieu d'achat. La date d'achat est indiquée sur votre facture originale.

GARANTÍA LIMITADA

Hydrofarm garantiza que el **VERTICAL GROW SHELF SYSTEM** no presentará defectos de fabricación. La garantía tendrá una duración de un año desde la fecha de compra. En caso de no respetarse estas instrucciones o de un uso inadecuado del producto, la garantía no cubrirá los posibles daños. La cobertura de la garantía ofrecida por Hydrofarm únicamente incluye los costes de sustitución del producto. Hydrofarm no será responsable de ningún daño indirecto, accidental o derivado de ningún tipo, incluyendo pérdidas de ingresos o beneficios, o cualquier otra pérdida relacionada con el producto. En algunos estados no se permiten limitaciones sobre la duración de una garantía implícita o la exclusión de los daños accidentales o derivados; en cuyo caso las limitaciones y exclusiones anteriores no serán de aplicación. Hydrofarm, a su discreción, podrá reparar o sustituir el **VERTICAL GROW SHELF SYSTEM** cubierto por esta garantía siempre que se devuelva al lugar original de compra. Para reclamar la garantía, devuelva el **VERTICAL GROW SHELF SYSTEM** con el ticket de compra y el embalaje original al lugar de compra. La fecha de compra será la indicada en el ticket original.

Vertical Grow Shelf System Instructions revised - March 1, 2017 4:35 PM