



Morningstar's advanced **SunLight** solar lighting controller combines the **SunSaver** design with a microcontroller for automatic lighting control functions.

***This technology provides:***

- ï Proven Reliability
- ï Precise Lighting Control
- ï PWM Battery Charging

***Operation:***

- ï Rotary digital switch to select among 10 lighting options (see back)
- ï Test button flashes red LED to confirm correct rotary switch selection
- ï Test button turns lights on for 5 minutes (in LVD limited to 3 times)
- ï LVD overrides lighting timer
- ï Sunrise overrides lighting timer
- ï Timer accuracy is within 2 seconds

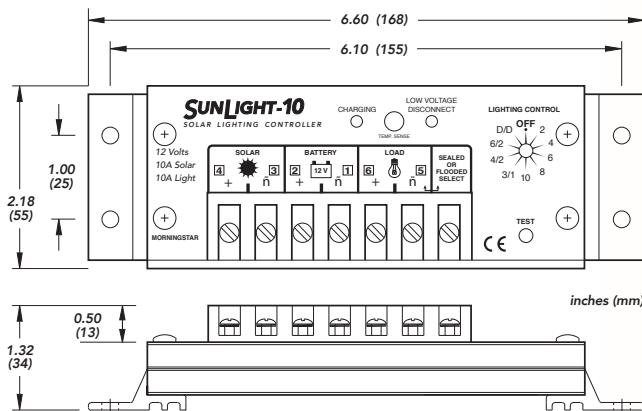
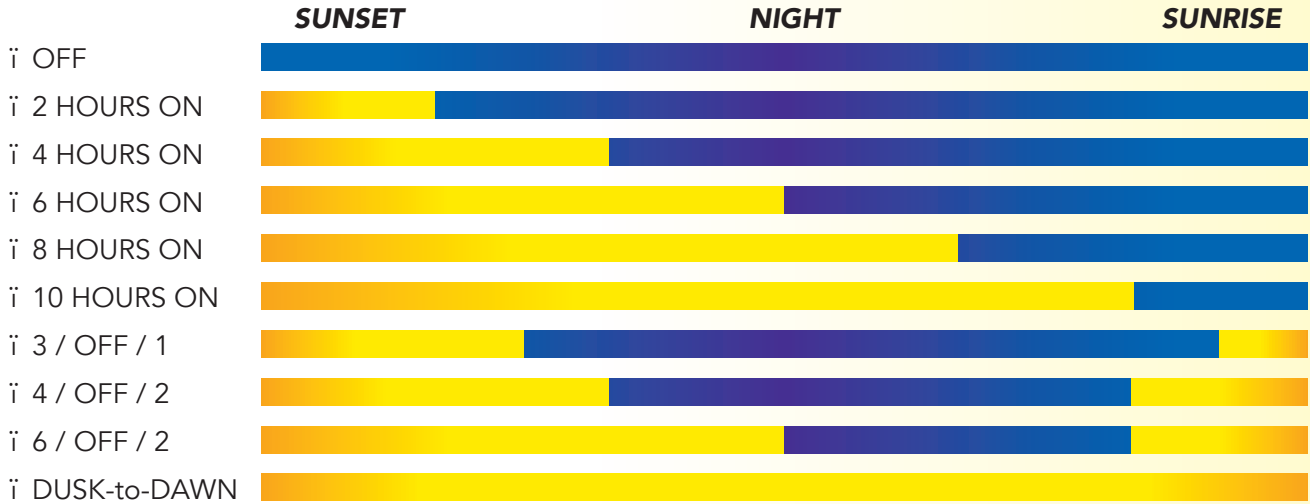
***Three Versions Available:***

- ï 12 Volt: 10 and 20 amp ratings
- ï 24 Volt: 10 amp ratings

***Features:***

- ï Microcontroller digital accuracy
- ï Fully automatic operation
- ï Ten field adjustable lighting control options
- ï Special on/off/on functions
- ï Manual test capability
- ï LVD override protection
- ï Detects day and night using the PV array
- ï Suitable for all 12/24 Vdc lamps
- ï Sealed/Flooded battery select
- ï Temperature compensation
- ï Parallel with a SunSaver for 40 amps solar
- ï Includes SunSaver battery charging circuit

### Lighting Control Options

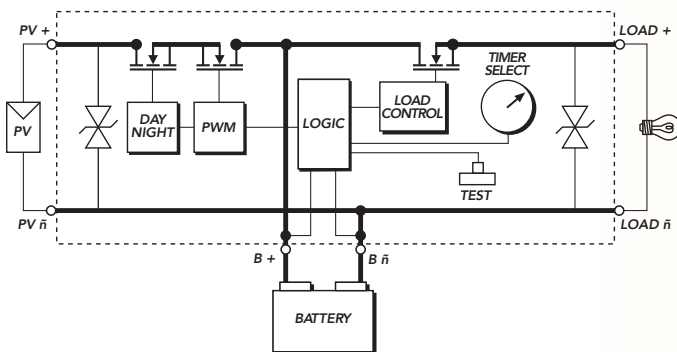


### Mechanical Specifications

- Wire size #10 AWG (5.2 mm<sup>2</sup>)
- Anodized aluminum case
- Marine rated terminals
- Epoxy encapsulated
- Weight is 9 oz (0.26 kg)

### Electrical Specifications

	12 Volt	24 Volt
Rated Solar Input	10/20 A	10 A
Rated Load	10/20 A	10 A
25% Current Overload	5 min.	5 min.
Regulation Voltage:		
Sealed Battery	14.1 V	28.2 V
Flooded Battery	14.4 V	28.8 V
Load Disconnect	11.7 V	23.4 V
LVD Reconnect	12.8 V	25.6 V
Self-consumption	8 mA	9 mA
Operating Temp.	-40 to +85 C	



**WARRANTY:** Five year warranty period. Contact Morningstar or your authorized distributor for complete terms.



t. 866.258.0110  
 f. 866.437.5531  
 e. sales@hespv.ca  
 w. hespv.ca

